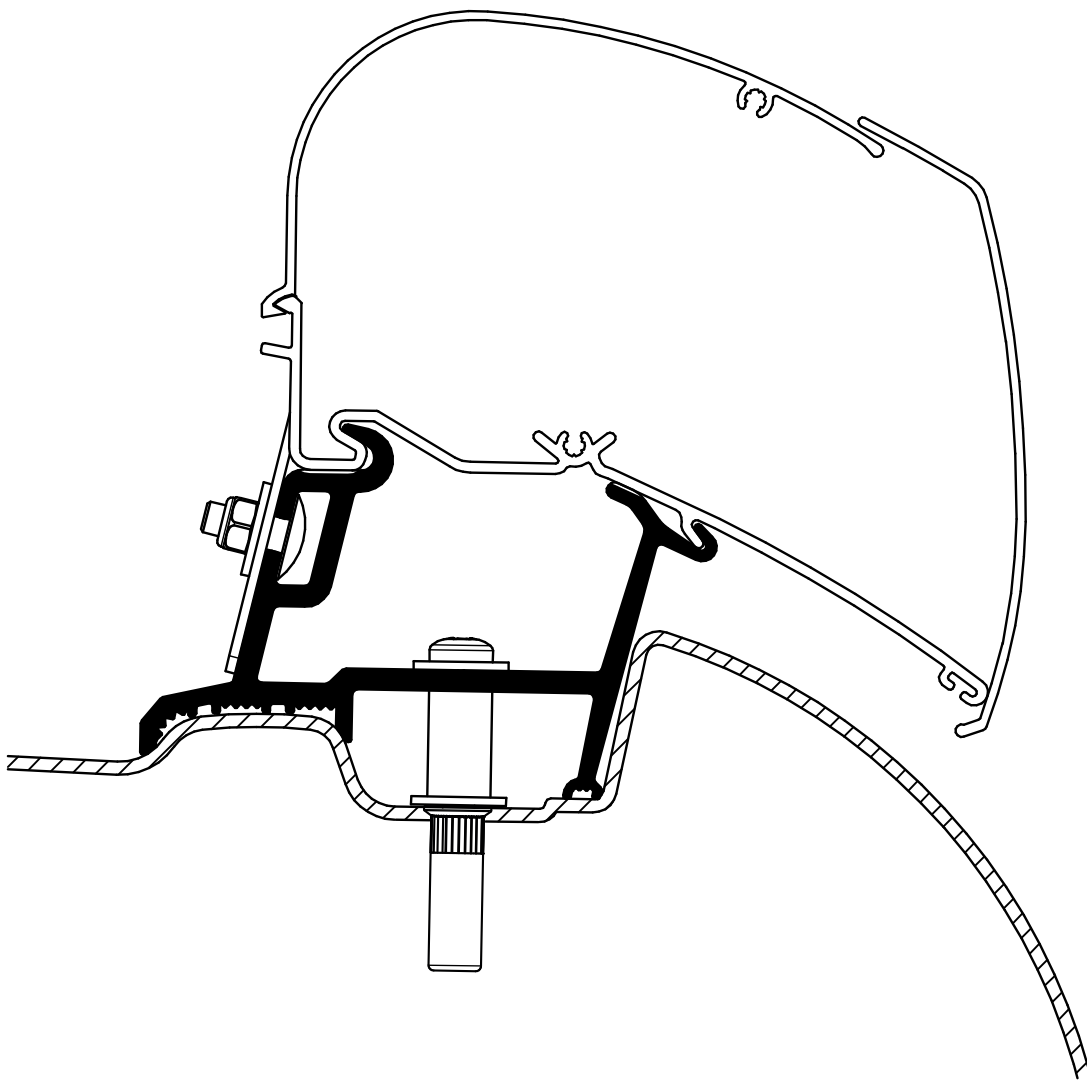
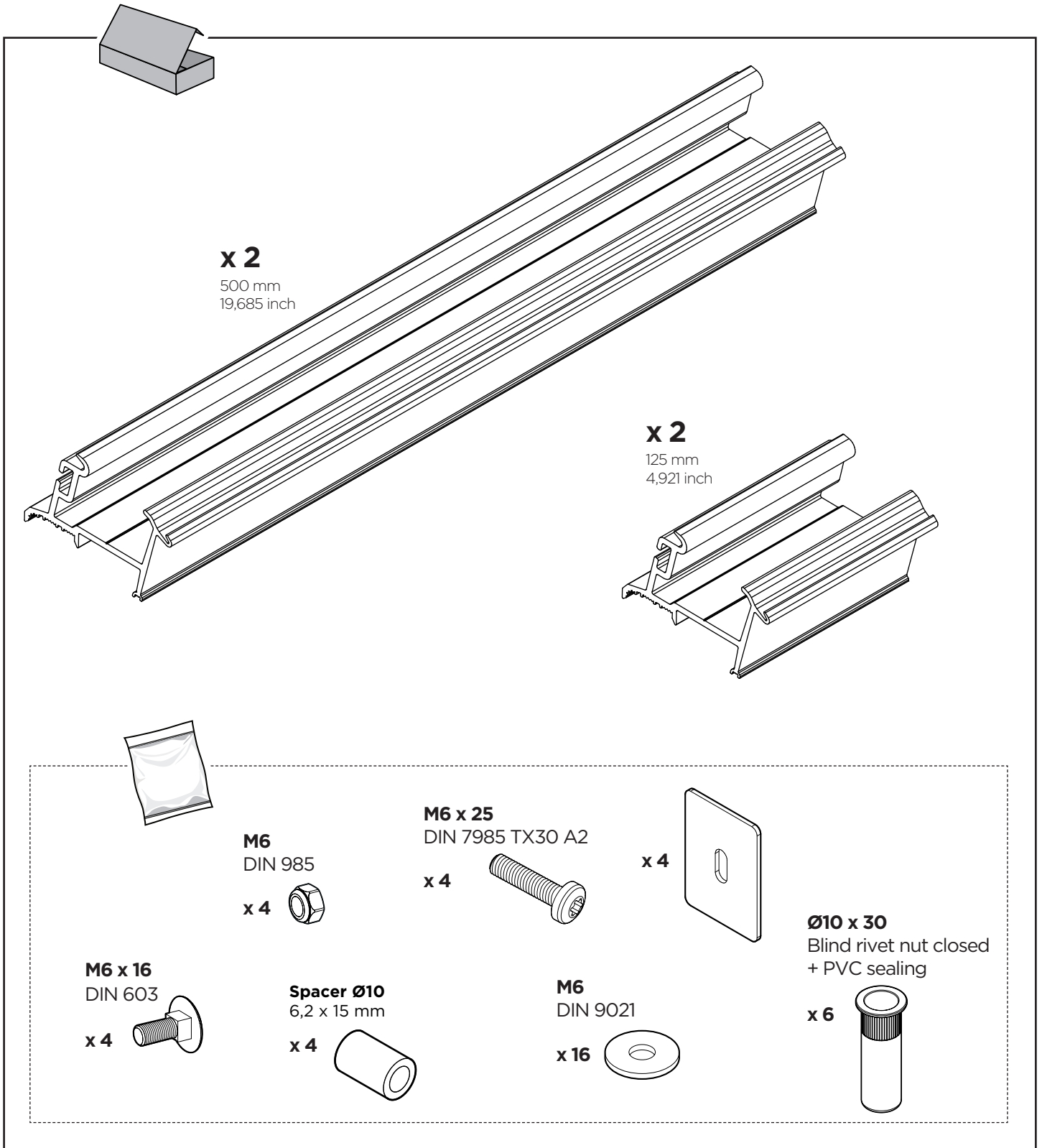
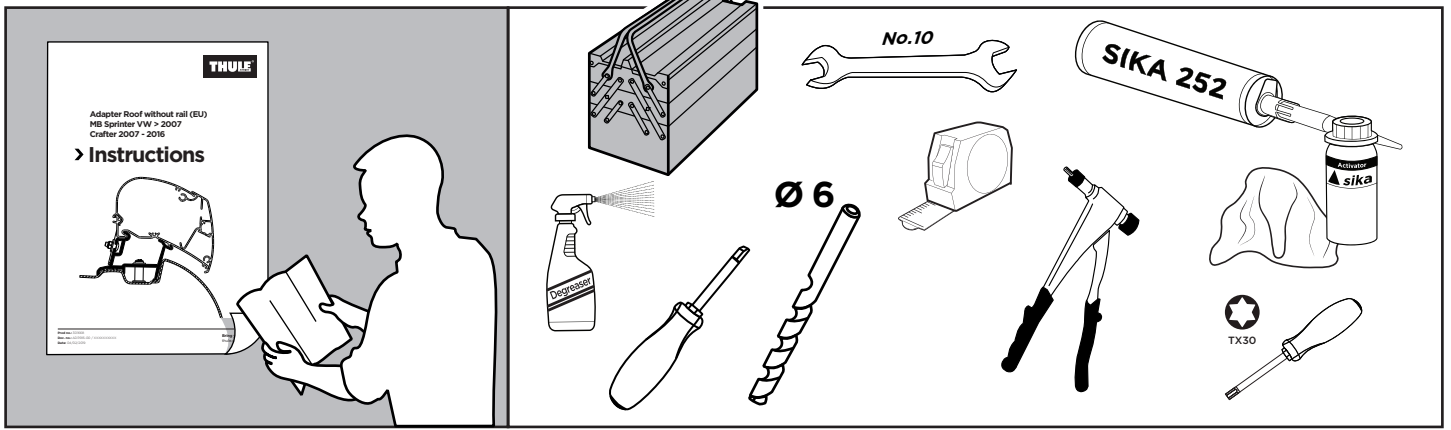


Adapter Roof without OE Track
MB Sprinter > 2007
VW Crafter 2007 - 2016

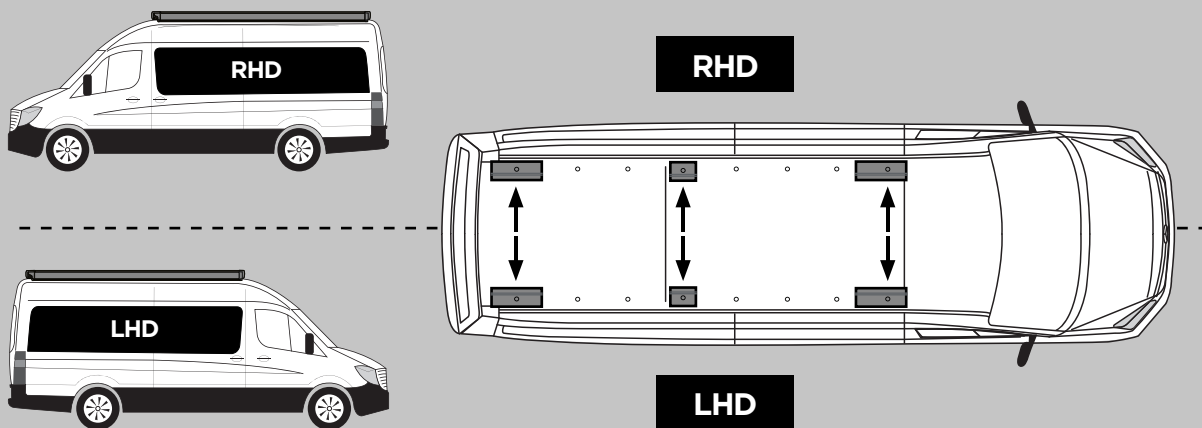
➤ Instructions





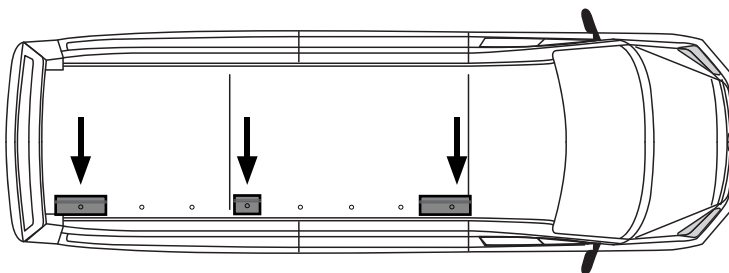
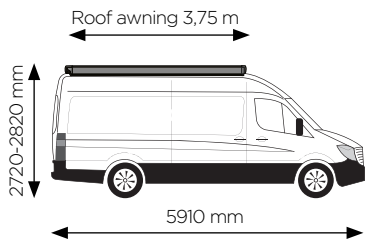
i

RIGHT HAND DRIVE (RHD) is **MIRROR** of LEFT HAND DRIVE (LHD)



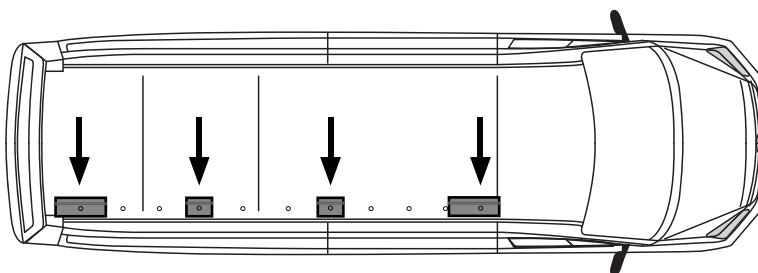
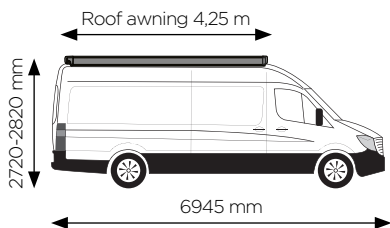
! IN THIS MANUAL **LEFT HAND DRIVE (LHD)** IS SHOWN BY **DEFAULT**

L2H2



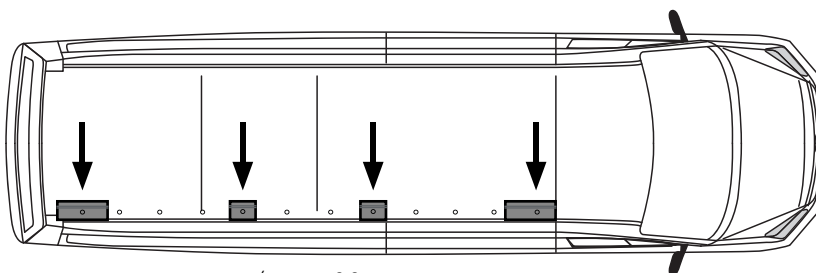
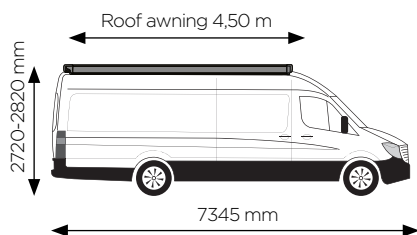
use **3/8** roof fixation points

L3H2

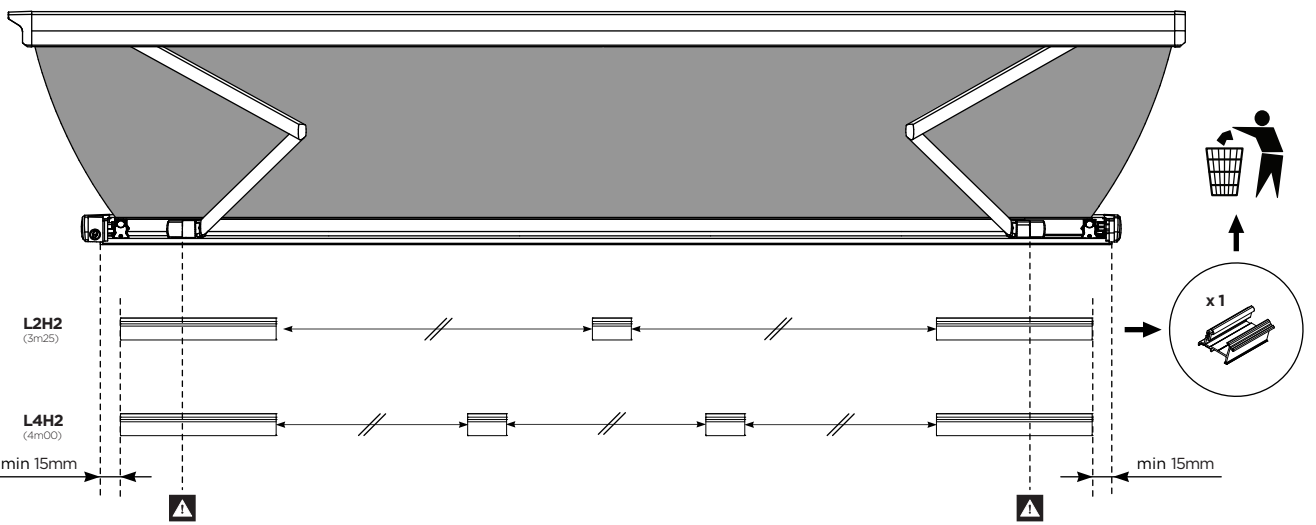
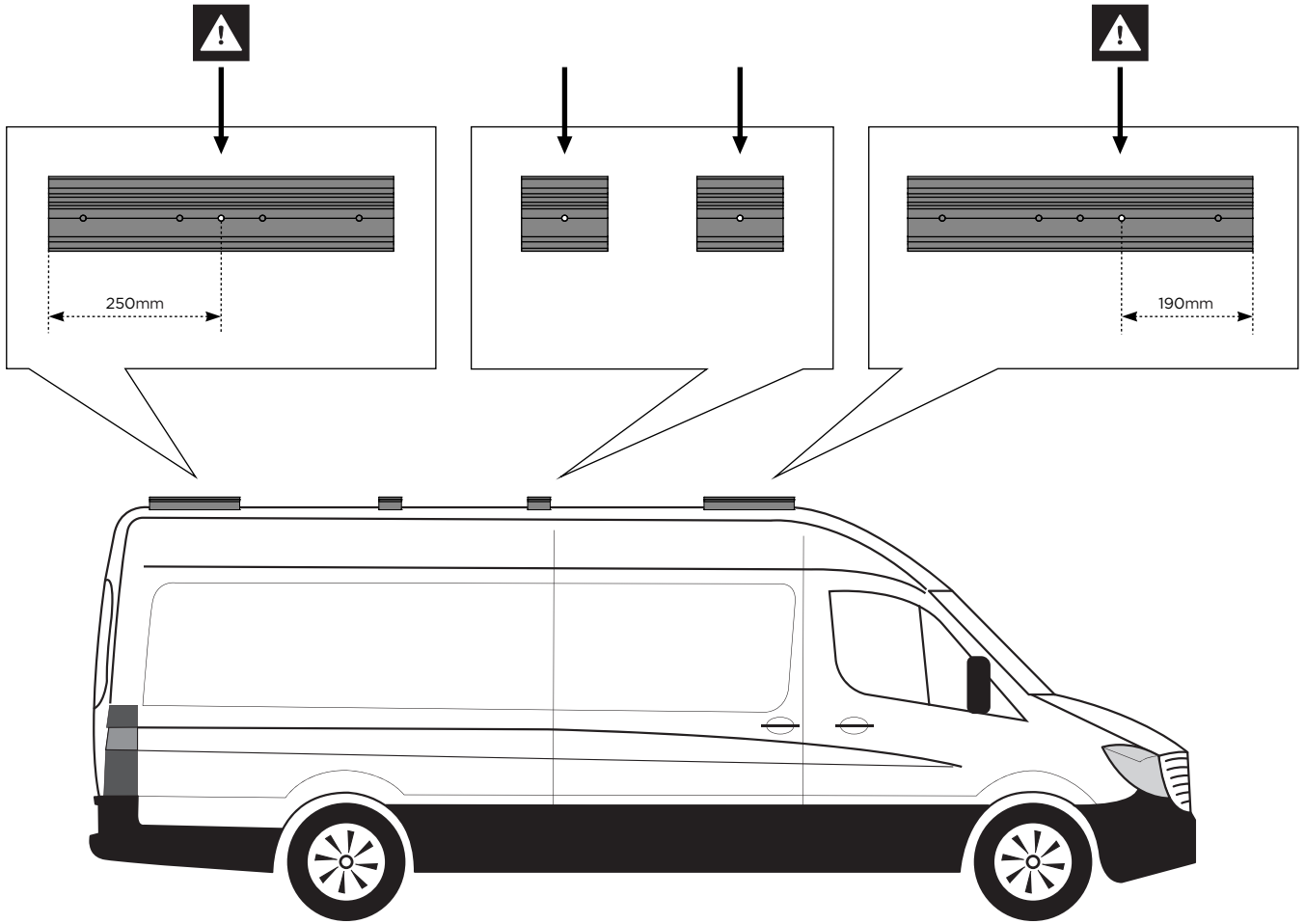


use **4/11** roof fixation points

L4H2

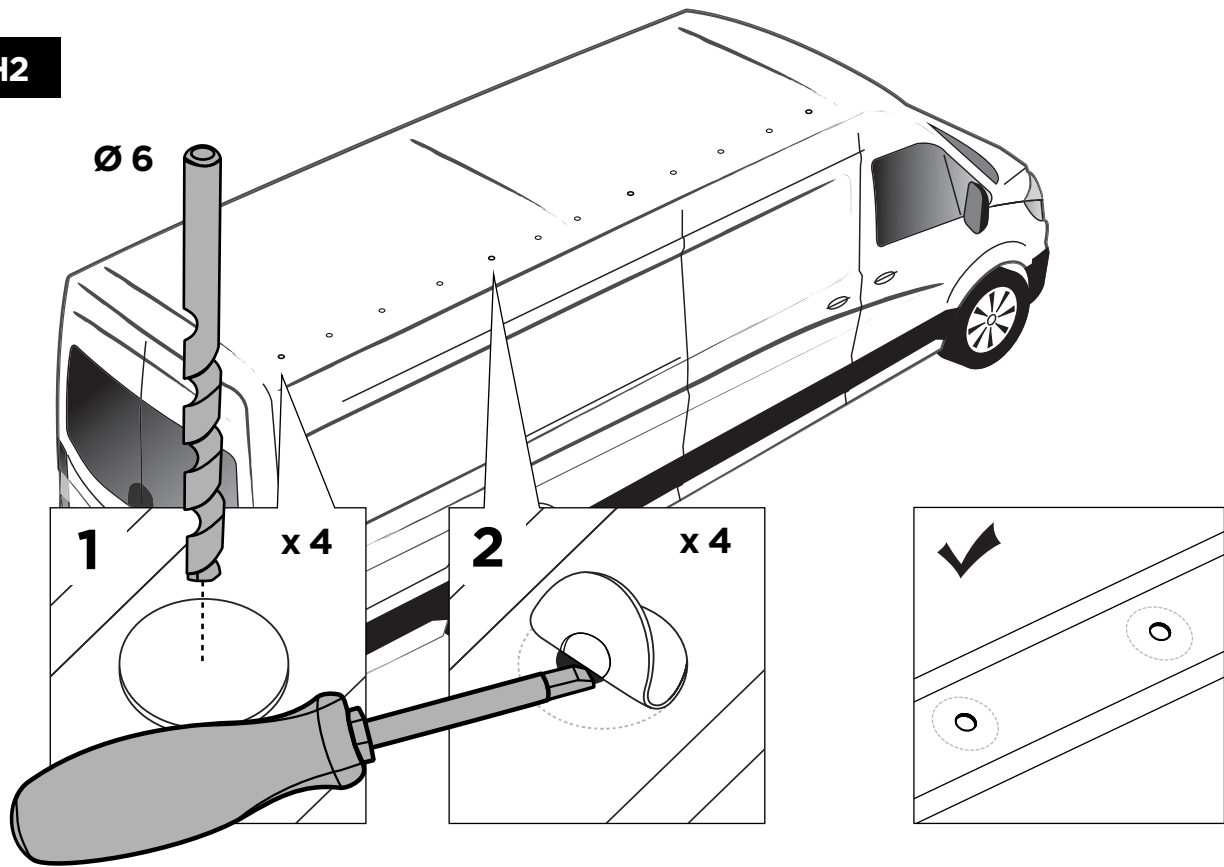


use **4/12** roof fixation points

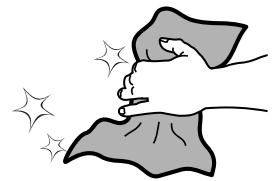
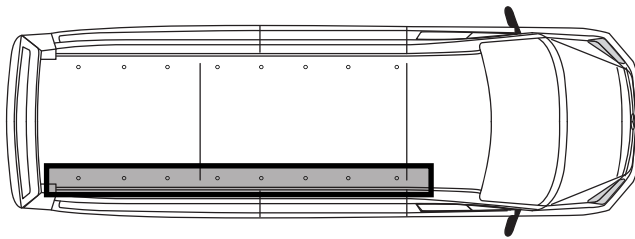
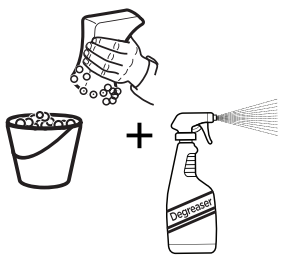


1 Remove protection of the 4 adapter fixation points

L4H2

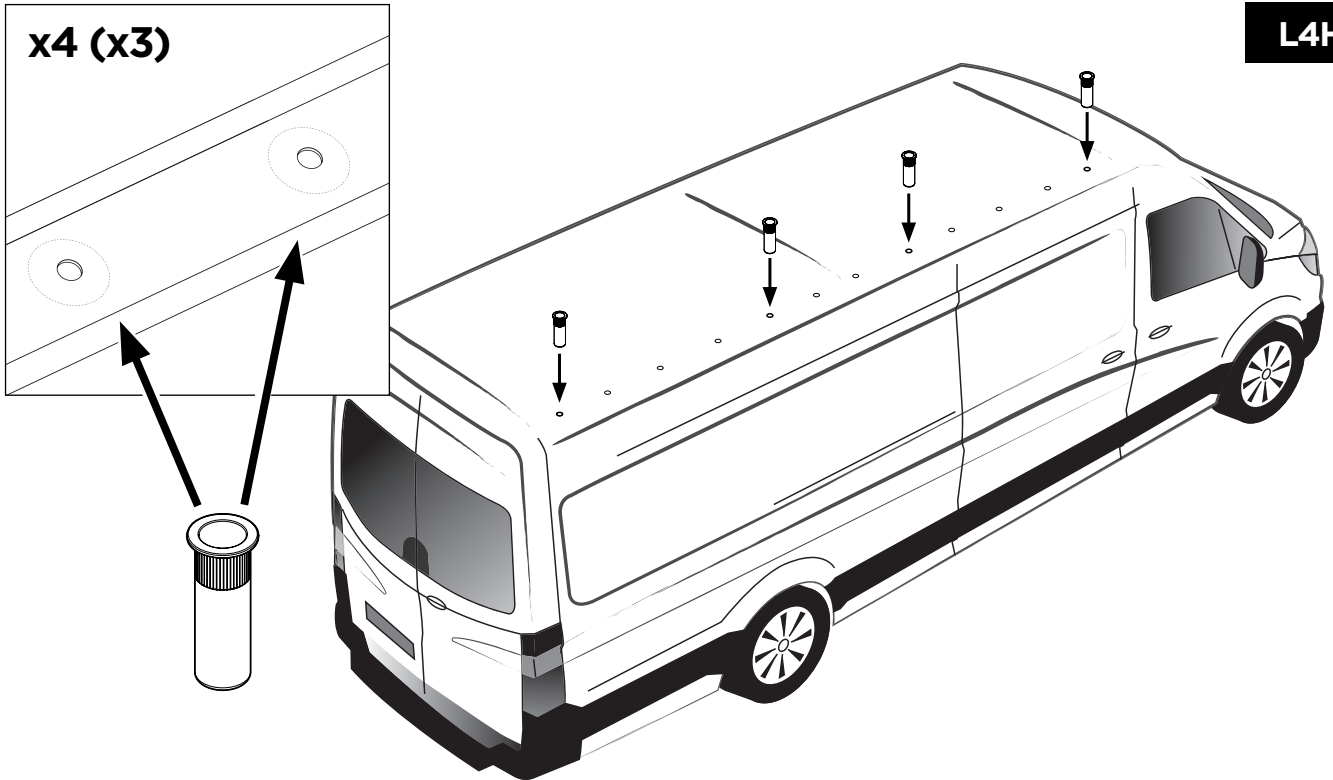
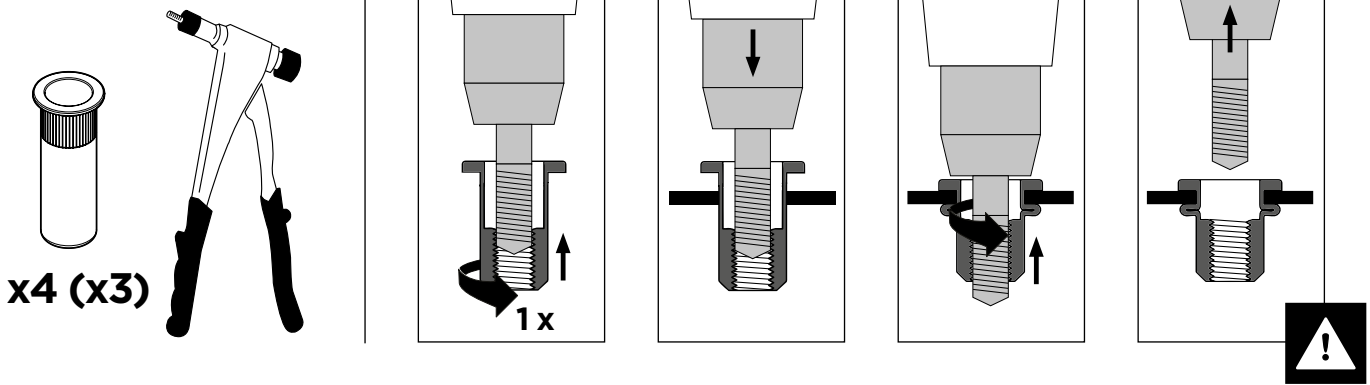


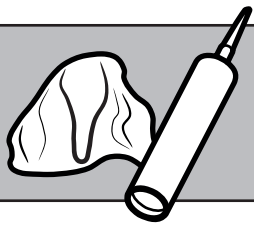
2 Degrease the roof



3 Assemble the blind rivet nuts

! RHD IS MIRROR OF LHD





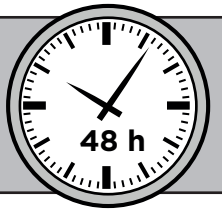
Glue / Lijmen / Verklebung:

Thule recommends / beveelt aan / empfiehlt: **SIKA 252 or Terostat MS937**

Primern und Abdichtung nach Anweisung des Dichtmittelherstellers.

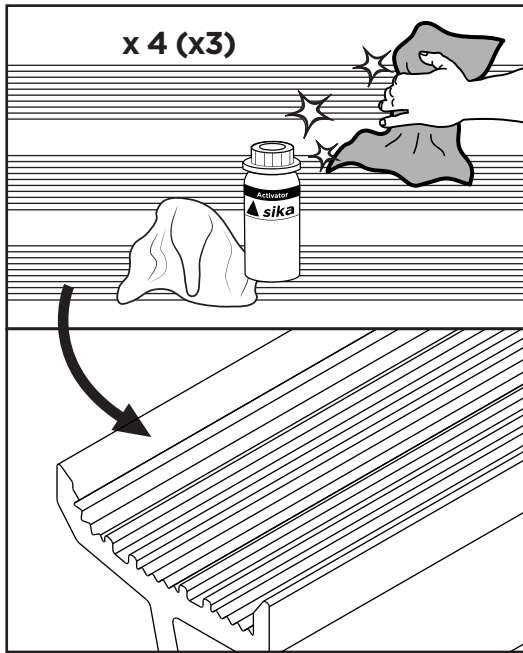
Voorbehandeling en afdichting volgens de voorschriften van de lijmfabrikant.

Preparation and sealing according to the prescripts of the glue supplier.

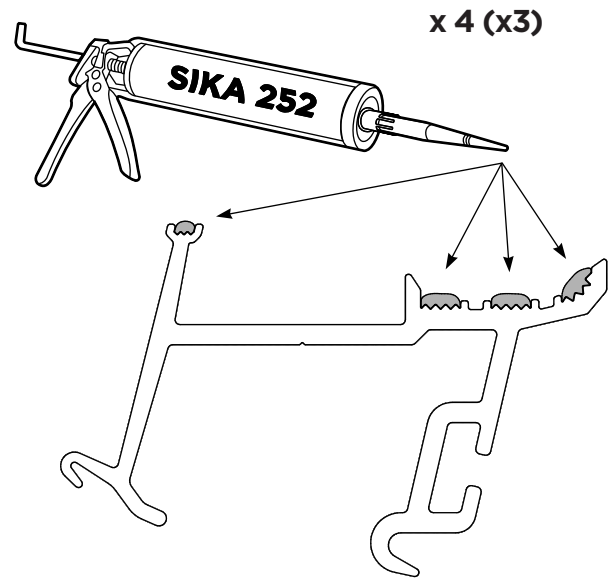


4 Gluing

A

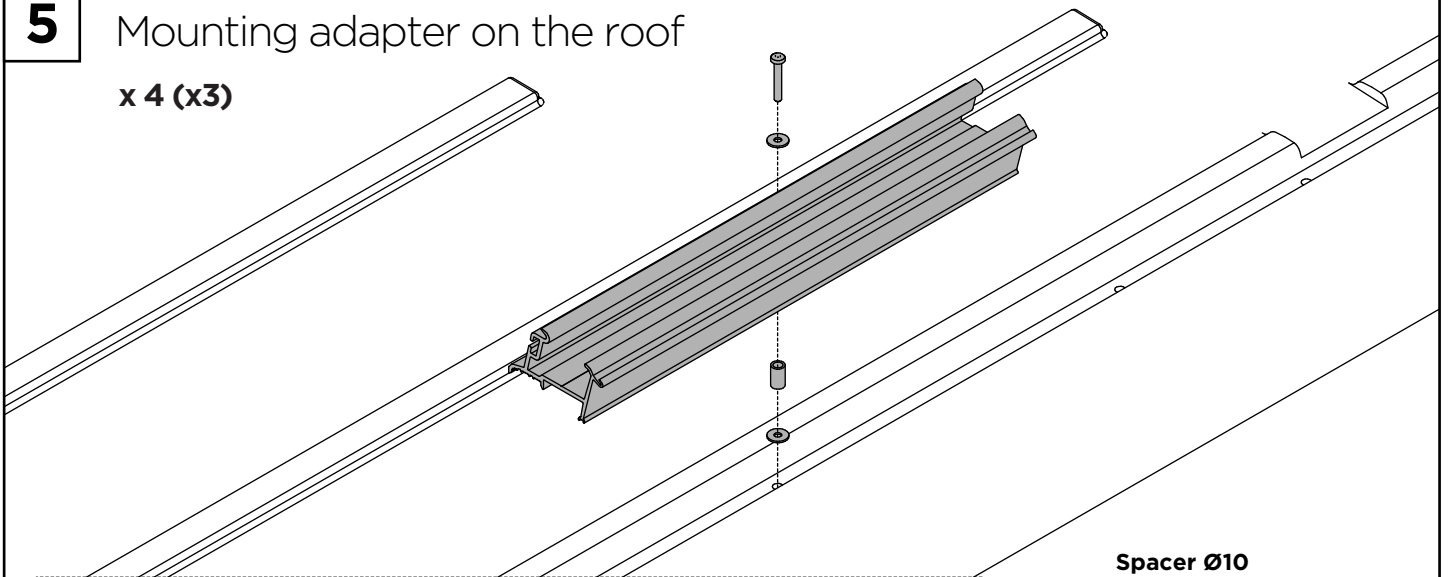


B



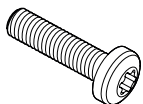
5 Mounting adapter on the roof

x 4 (x3)



M6 x 25
DIN 7985 TX30 A2

x 4



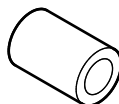
M6
DIN 9021

x 8

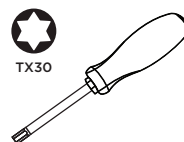


Spacer Ø
6,2 x 15 mm

x 4

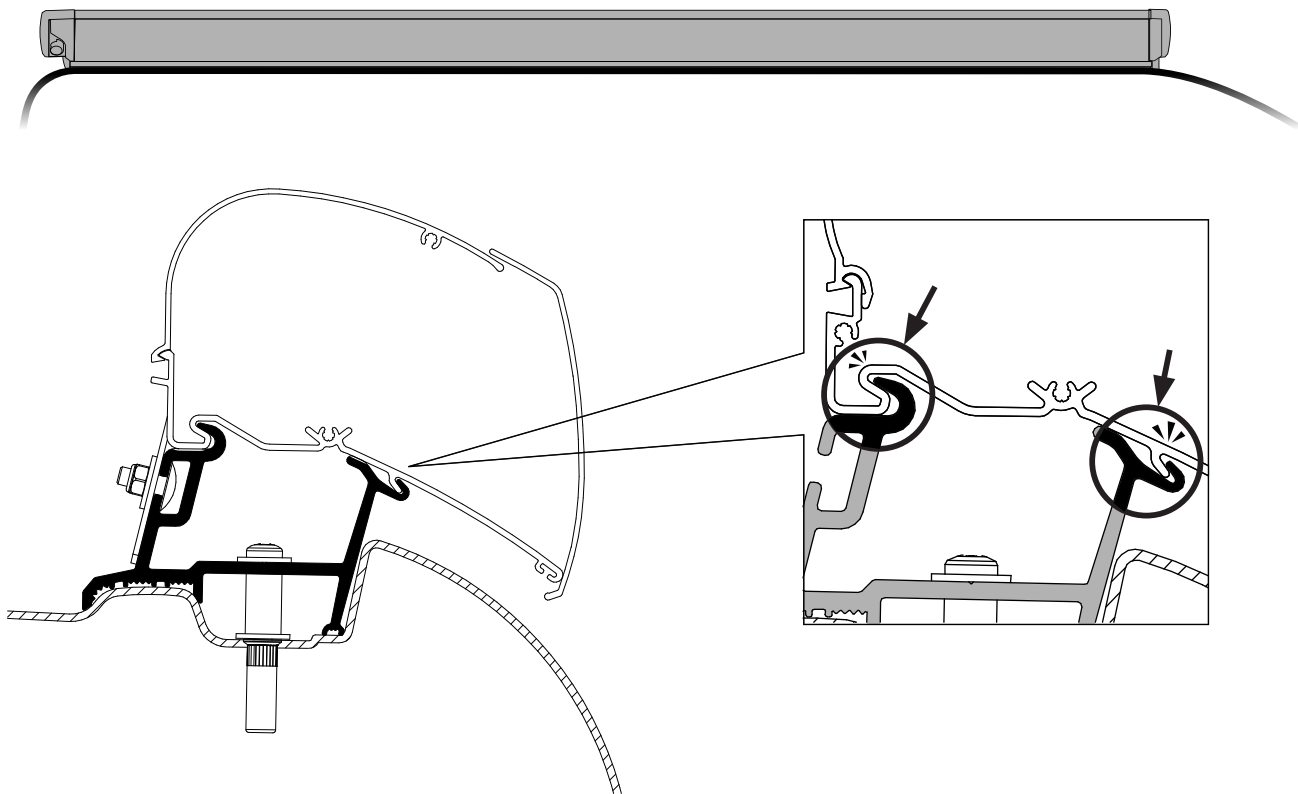


TX30



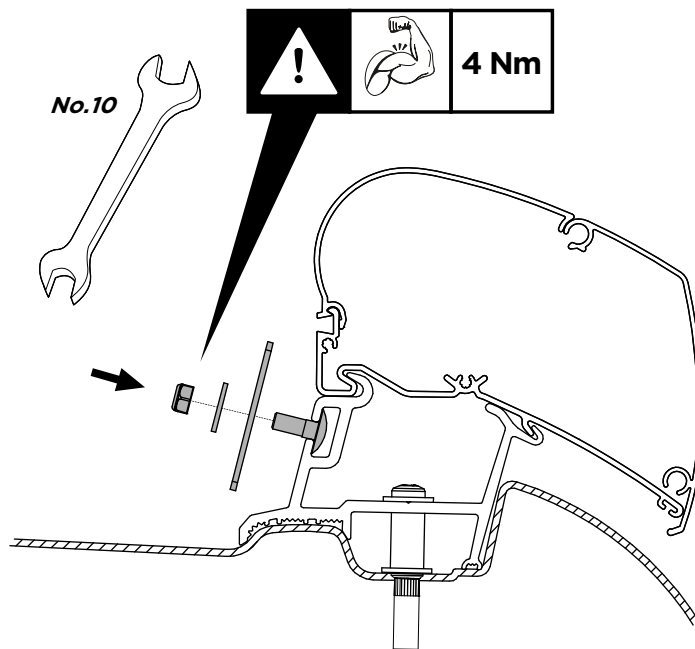
Spacer Ø10
6,2 x 15 mm

6 Place awning



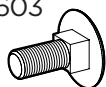
7 Assemble

x 4 (x3)



M6 x 16
DIN 603

x 4



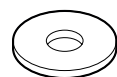
M6
DIN 985

x 4

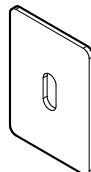


M6
DIN 9021

x 4



x 4



No.10

