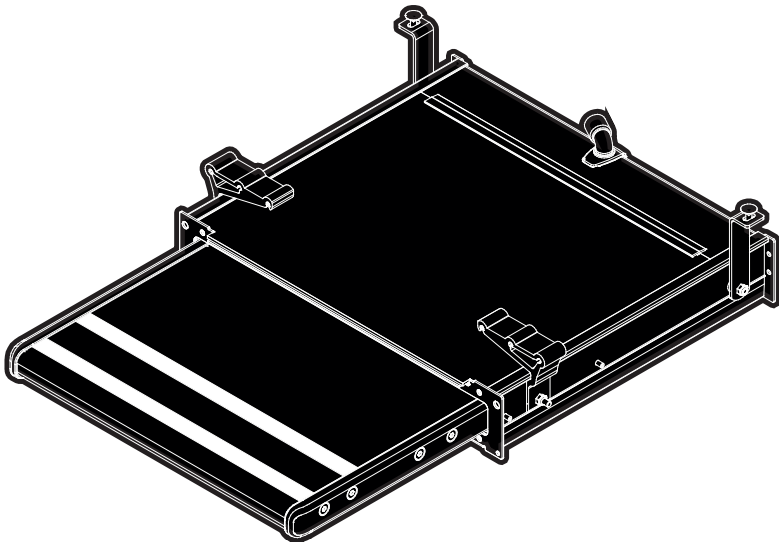


INSTALLATION

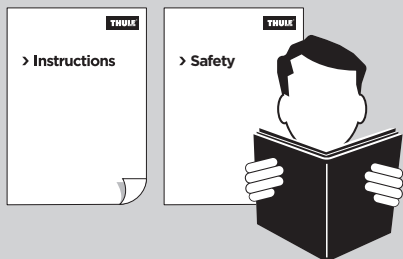
# ➤ Instructions

## Thule Slide Out G2 12V Ducato / Jumper / Boxer

301850, 301852, 301853, 301856,  
301862, 301873, 301877, 301886, 301887



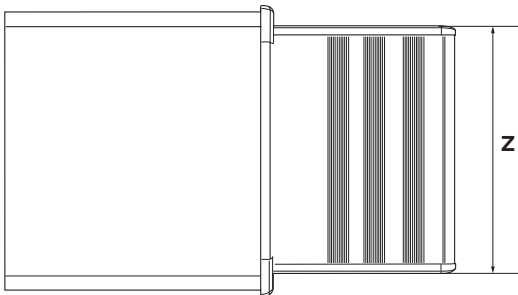
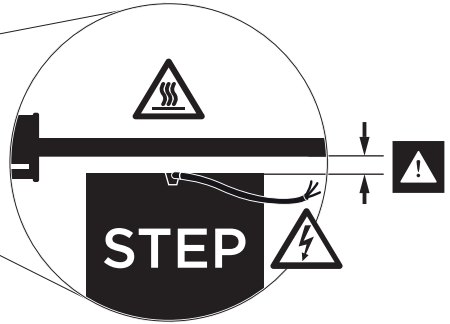
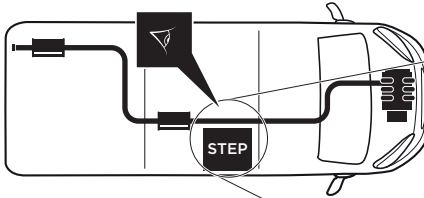
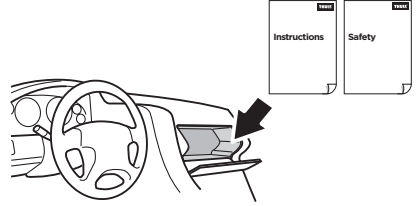
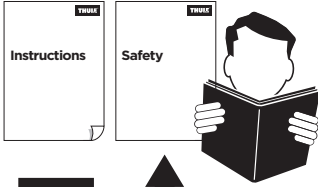




<b>DE</b>	Trittstufen - Bedienungsanleitung
<b>NL</b>	Opstaptrade - Gebruikershandleiding
<b>FR</b>	Marchepieds - Instructions d'utilisation
<b>IT</b>	Gradini - Istruzioni per l'uso
<b>ES</b>	Escalones - Manual de usuario
<b>SV</b>	Fotsteg - Användarmanual
<b>FI</b>	Astinlaudat - Käyttöohje
<b>DA</b>	Trapper - Brugermanual
<b>NO</b>	Trapper - Brukerhåndbok
<b>PL</b>	Stopnie - Instrukcja obsługi

<b>1</b>	<b>WARNINGS &amp; INFO</b>	<b>4</b>
	Warnungen & Info / waarschuwingen & info / avertissements et informations / avvertimenti e informazioni / advertencias e información / varningar & info / varoitukset ja tiedot / advarsler og info / advarsler og info / ostrzeżenia i informację	
<b>2</b>	<b>CONTENT</b>	<b>5</b>
	Inhalt / inhoud / contenu / contenuto / contenido / innehåll / sisältö / indhold / innhold / zawartość	
<b>3</b>	<b>TOOLS</b>	<b>6</b>
	Werkzeuge / gereedschappen / outils / strumenti / herramientas / verktyg / työkalut / værktøjer / verktøy / narzędzia	
<b>4</b>	<b>INSTALLATION</b>	<b>7</b>
	Installation / installatie / installation / installazione / instalación / installation / asennus / installation / instalasjon / instalacja	
<b>5</b>	<b>ELECTRICAL INSTALLATION</b>	<b>16</b>
	Elektroinstallation / Elektrische installatie / Installation électrique / Installazione elettrica / Instalacion electrica / Elektrisk installation / Sähköinen asennus / Elektrisk installation / Elektrisk installasjon / Instalacja elektryczna	
<b>6</b>	<b>ACCESSORIES</b>	<b>21</b>
	Zubehör / accessoires / accessoires / accessori / accesorios / tillbehör / tarvikeet / tilbehør / tilbehør / akcesoria	

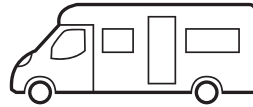
# 1 WARNINGS & INFO



(TYPE 400) Z = 407  
Z (TYPE 550) Z = 552  
(TYPE 700) Z = 707

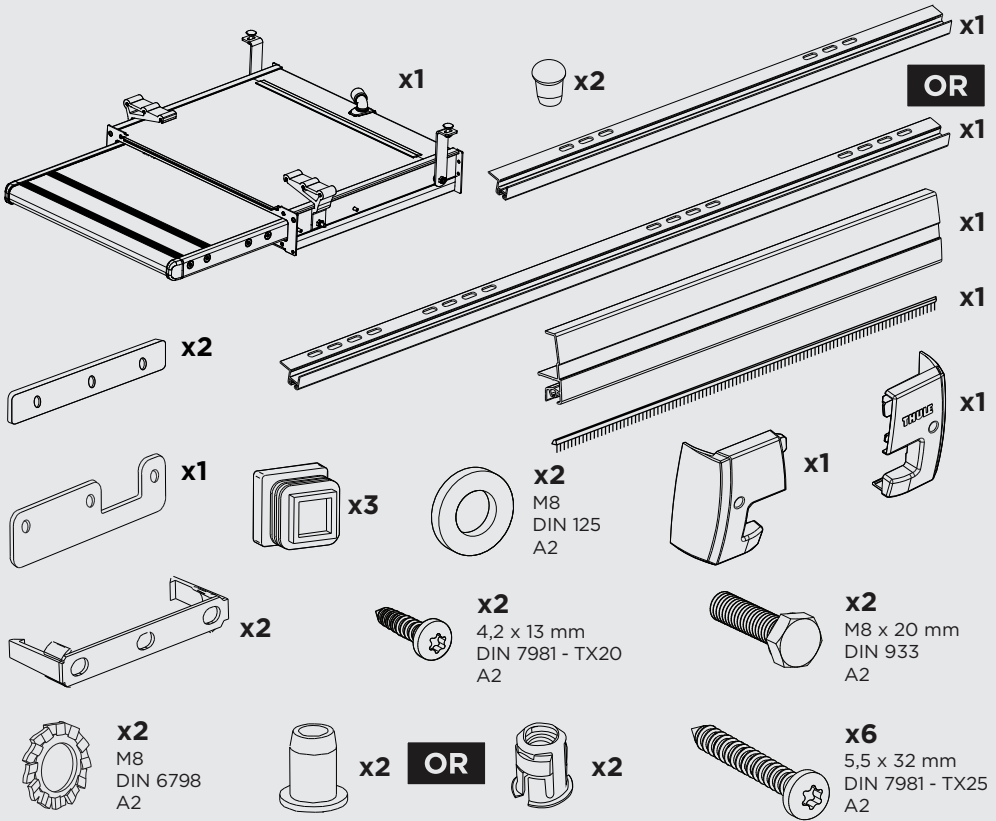


**EN 1645-1**

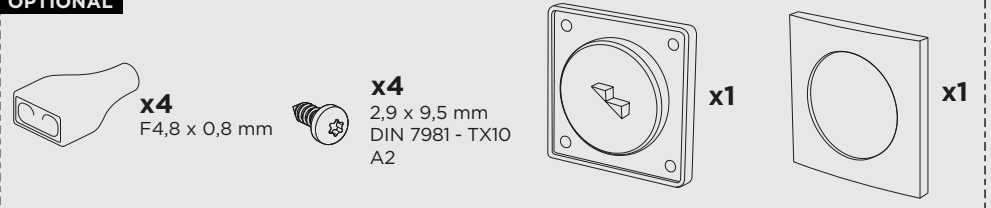


**EN 1646-1**

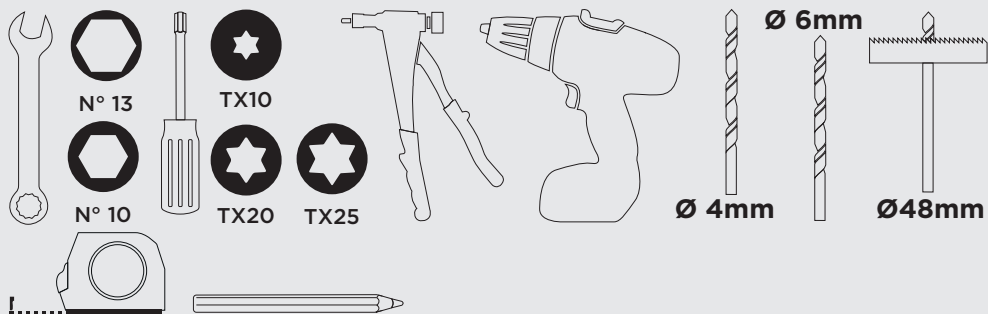
## 2 CONTENT



### OPTIONAL

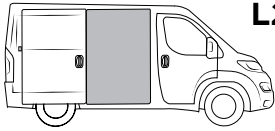


### 3 TOOLS

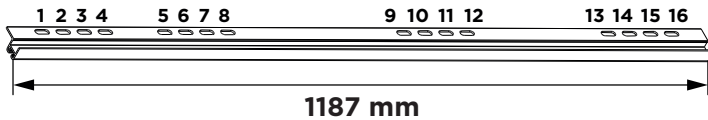
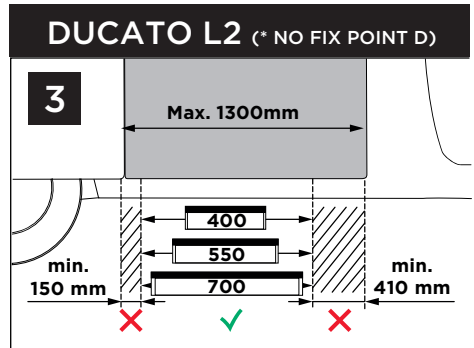
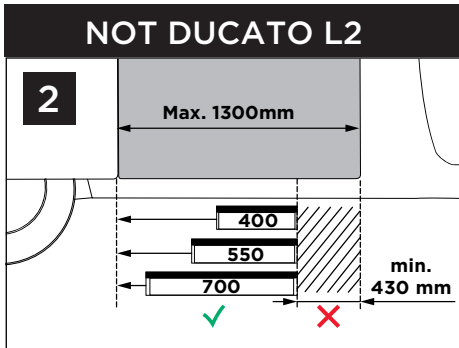
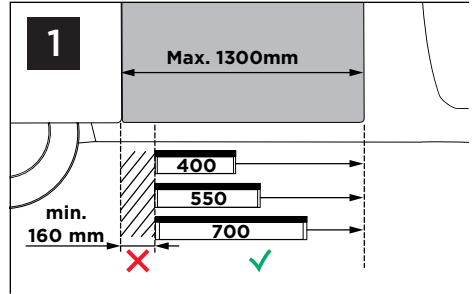
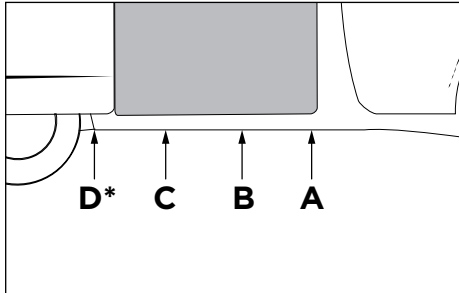


# 4 INSTALLATION

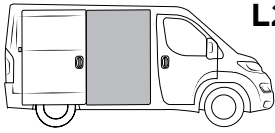
i



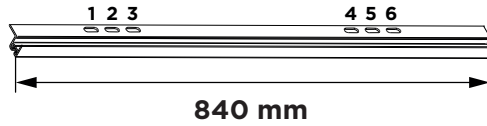
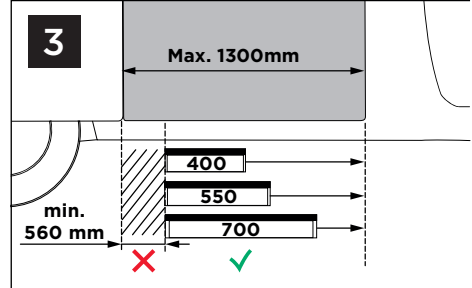
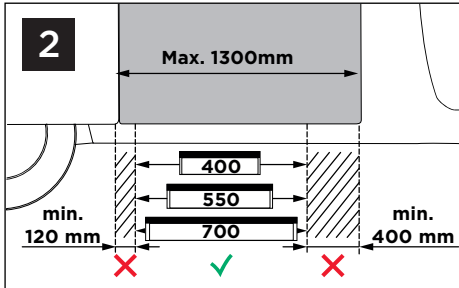
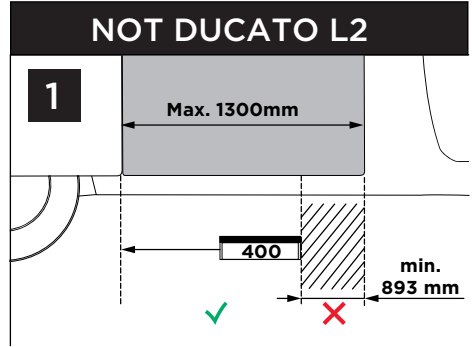
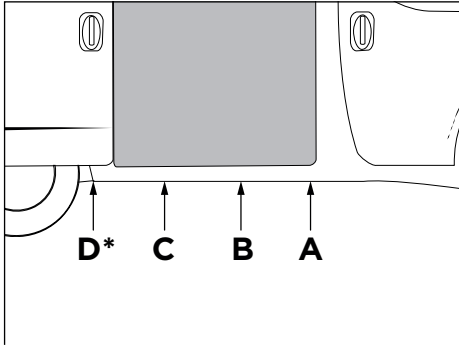
L2 / L3 / L4



<b>1</b>	C & A	3 & 14 OR 4 & 15
<b>2 (DUCATO L3 &amp; L4)</b>	D* & B	1 & 13
<b>3 (DUCATO L2)</b>	C & B	3 & 11



# L2 / L3 / L4



<b>1</b>	D* & C	1 & 5
<b>2</b>	B & C	3 & 5 OR 2 & 4
<b>3</b>	A & B	3 & 6 OR 2 & 5



1



x2



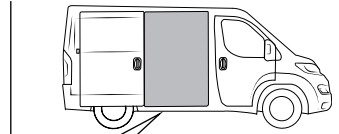
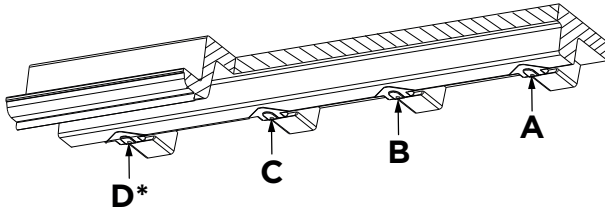
OR



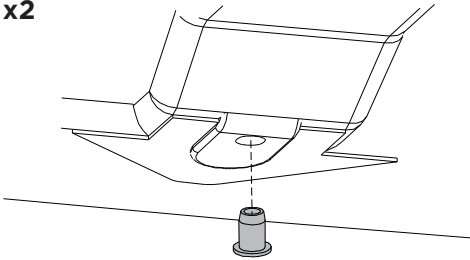
x2



N° 13



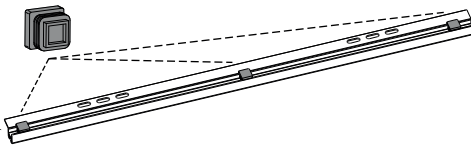
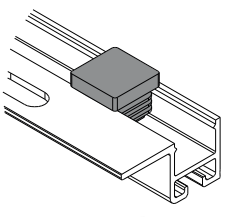
x2



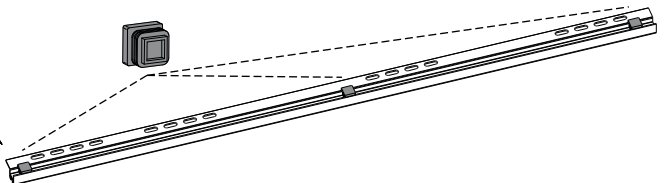
2



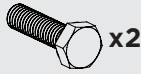
x3



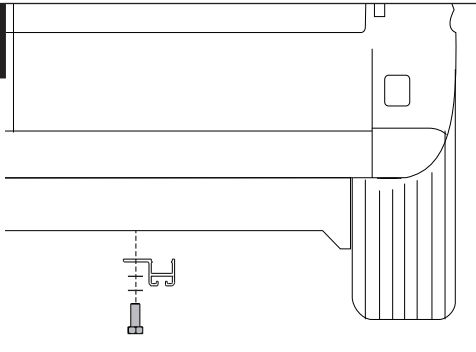
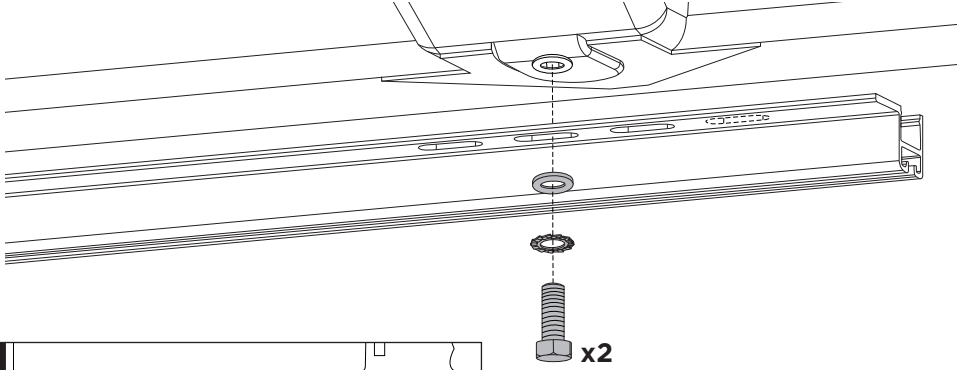
OR



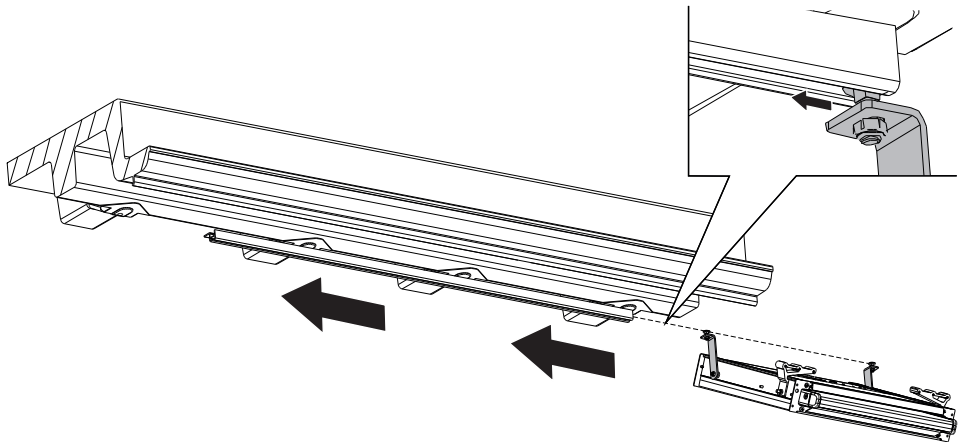
3



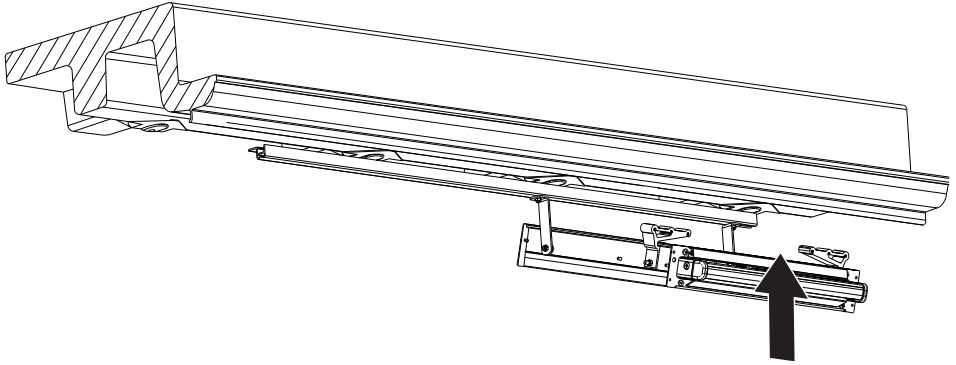
N° 13



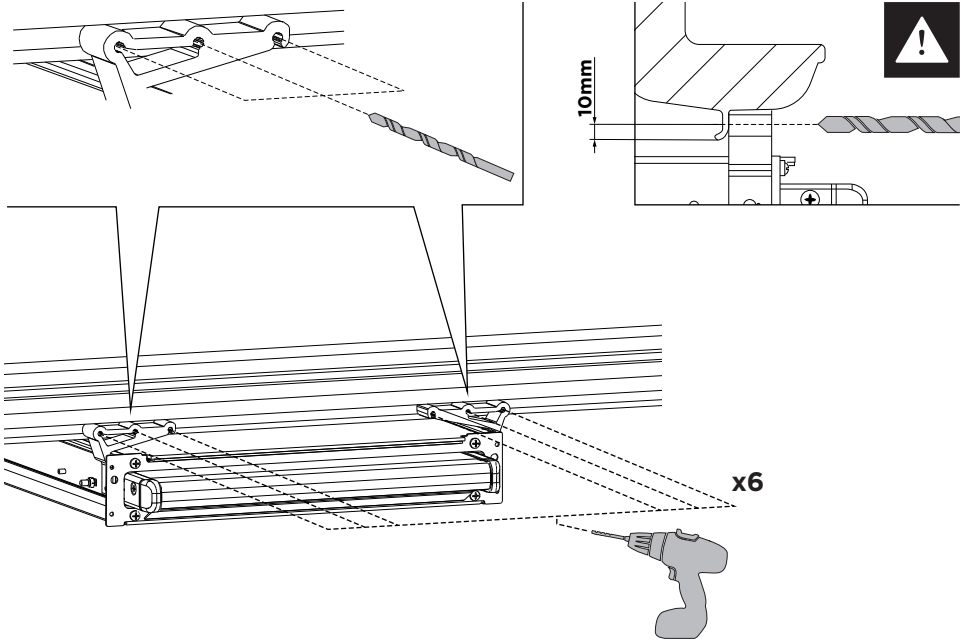
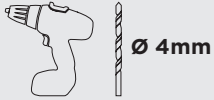
4



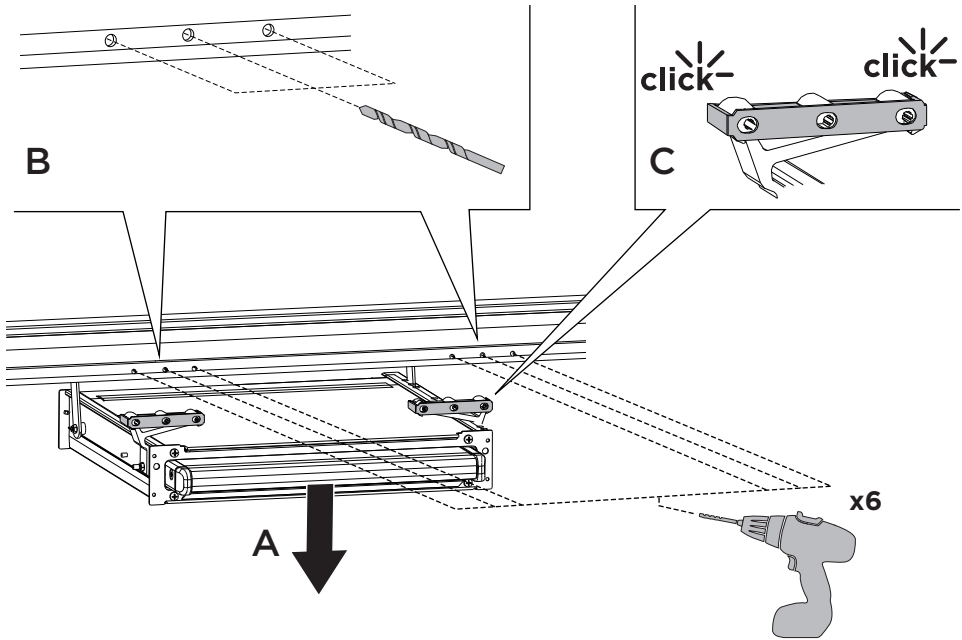
5



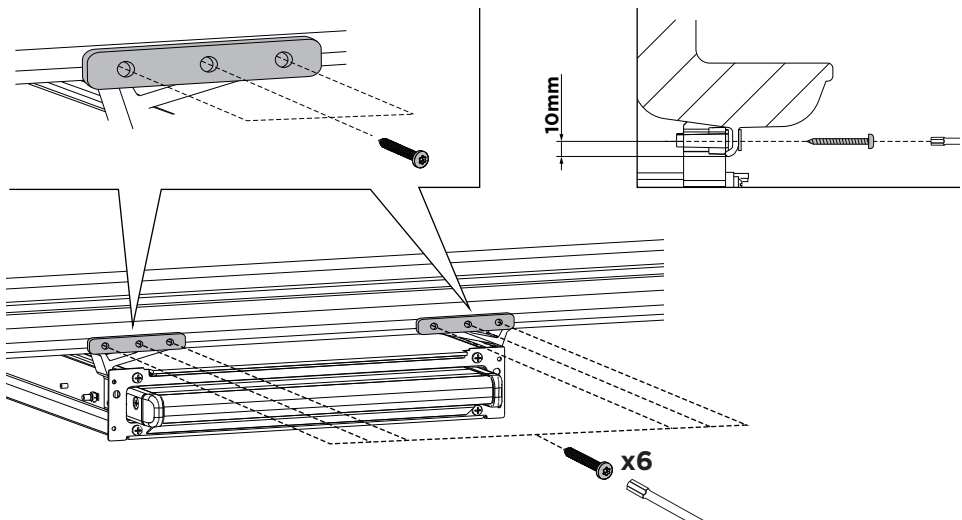
6

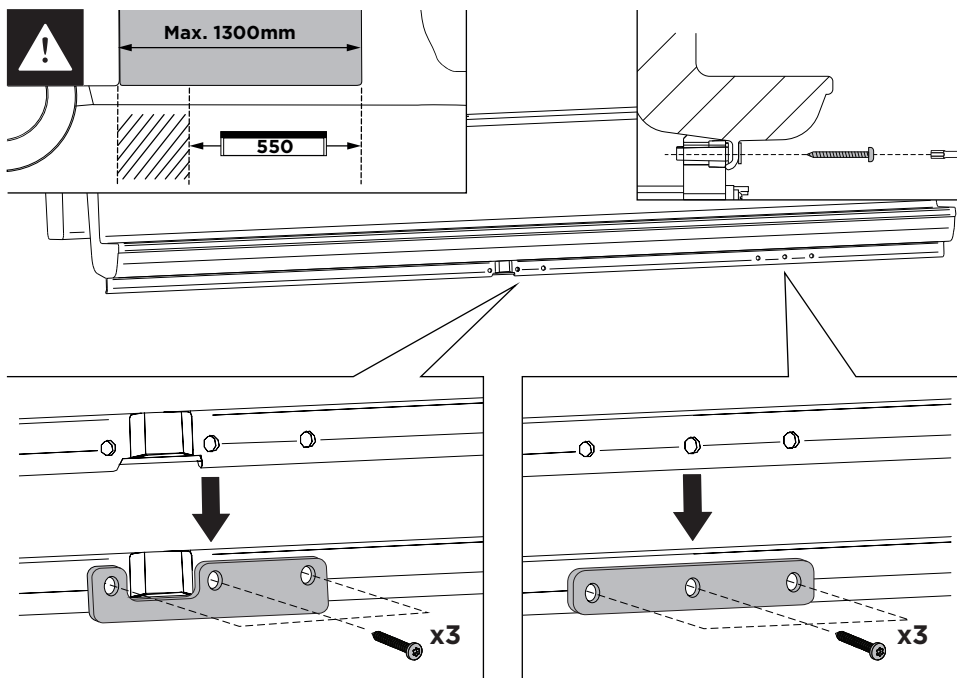


7



8

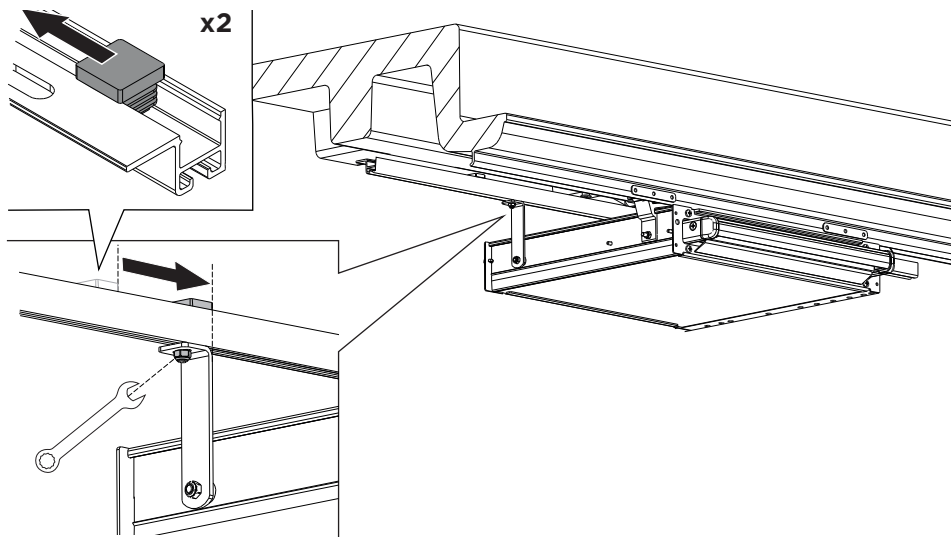




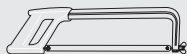
9



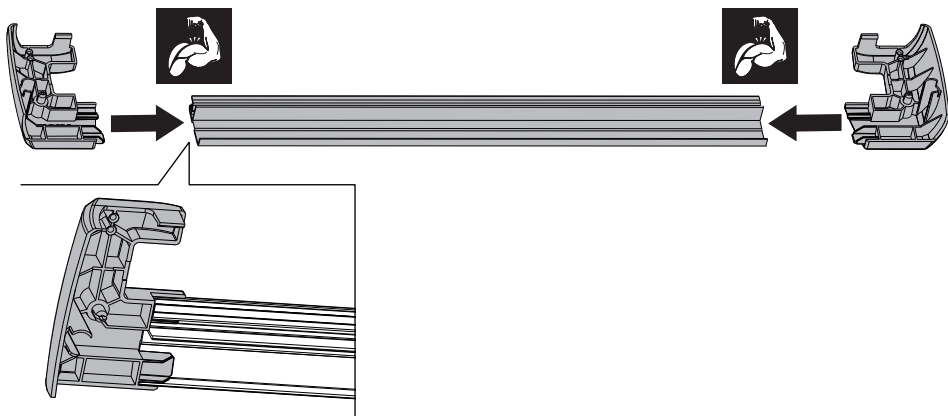
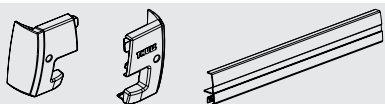
N°10



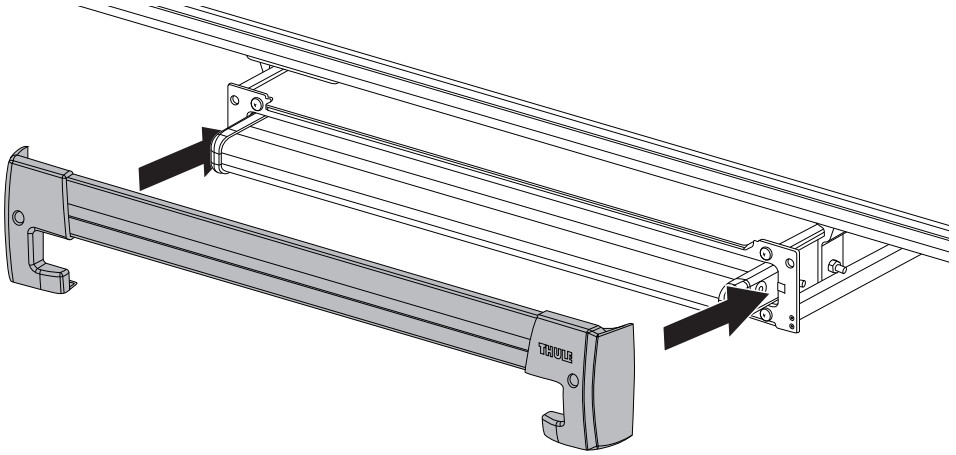
10



11



12



13



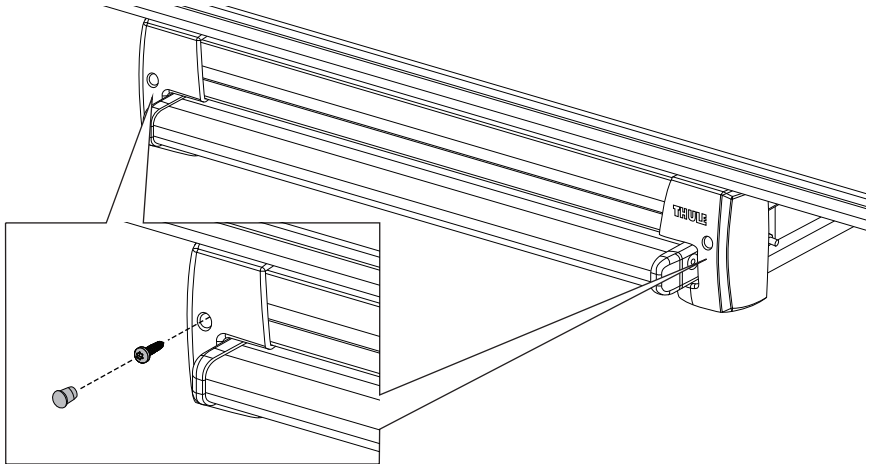
x2



x2



TX20



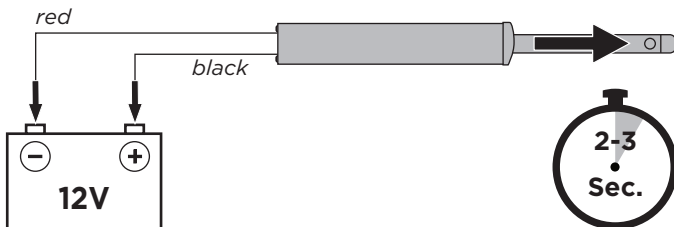
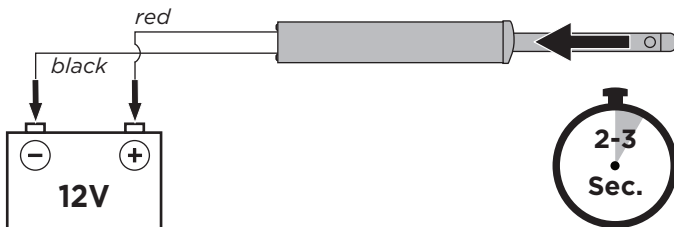
# 5 ELECTRICAL INSTALLATION

i



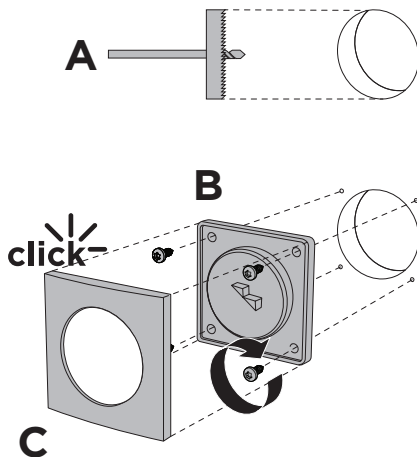
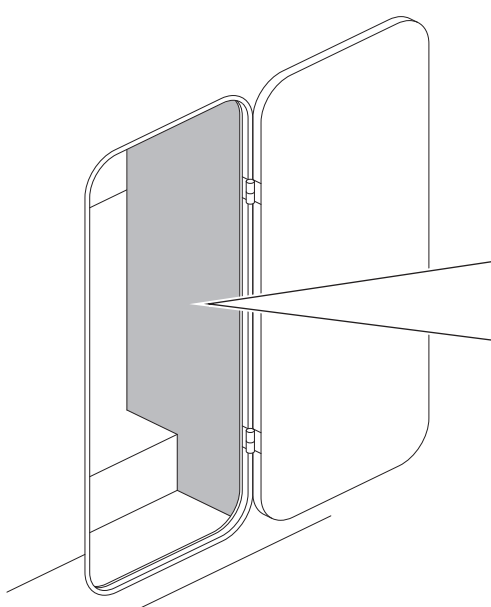
**RED/ROT/ROOD/  
ROUGE/ROSSO/ROJA/  
RÖD/PUNAINEN/RØD/  
RØD/CZERWONY**

**BLACK/SCHWARZ/  
ZWART/NOIR/NERO/  
NEGRO/SVART/  
MUSTA/SORT/SVART/  
CZARNY**



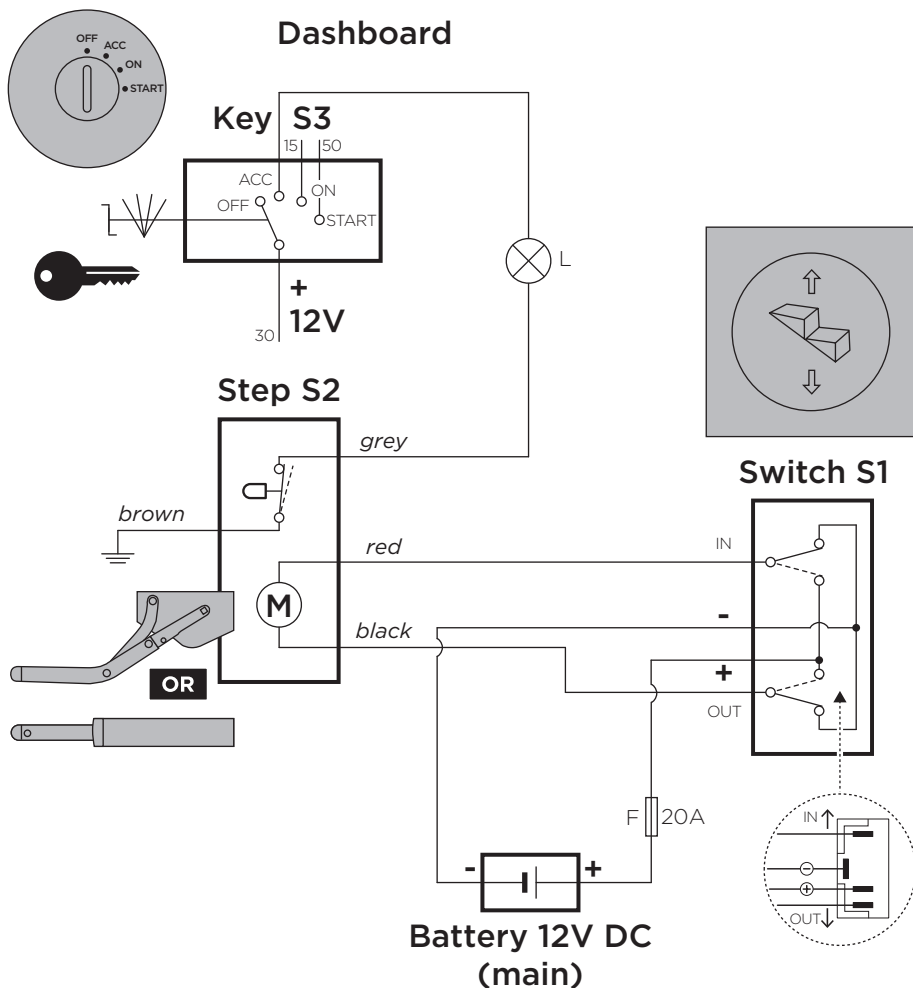
1

**OPTIONAL**





# THULE STEP with WARNING LAMP (or BUZZER)



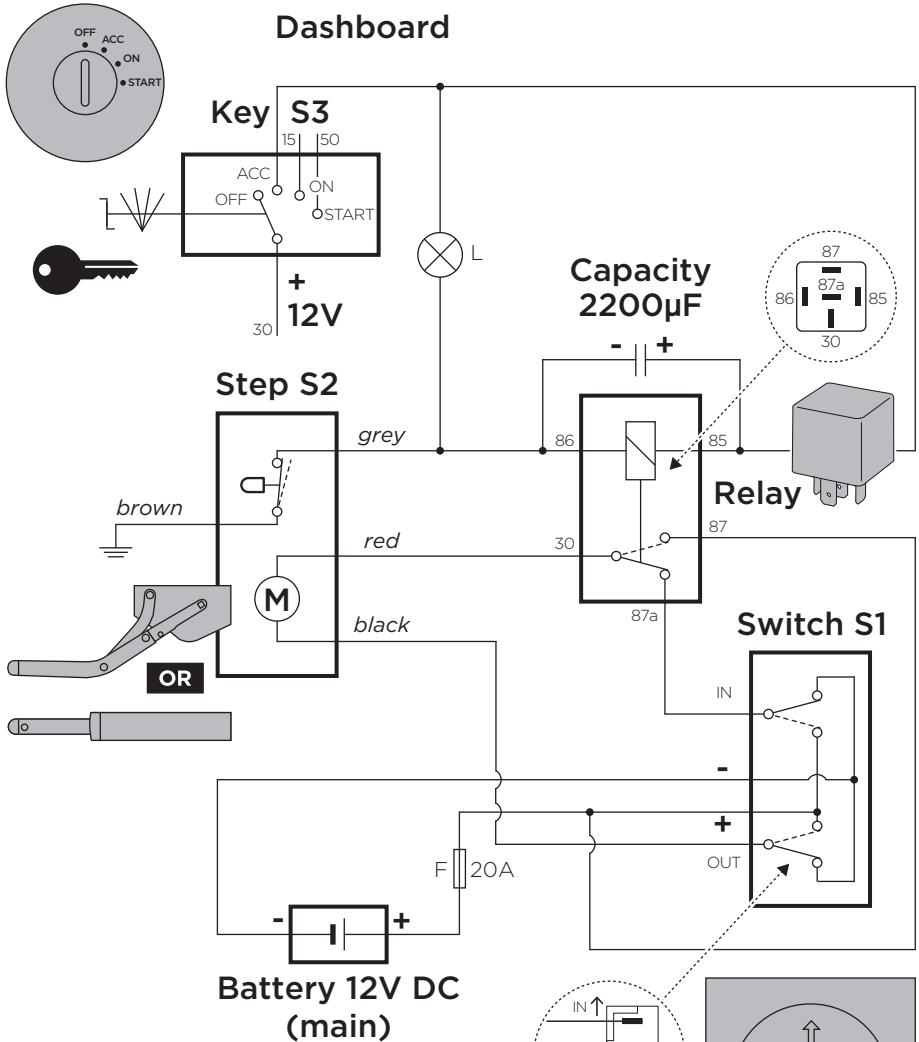
**BLACK/SCHWARZ/  
ZWART/NOIR/NERO/  
NEGRO/SVART/  
MUSTA/SORT/SVART/  
CZARNY**

**GREY/GRAU/GRIJS/  
GRISE/GRIGIO/GRIS/  
GRÅ/HARMAA/GRÅ/  
GRÅ/SZARY**

**RED/ROT/ROOD/  
ROUGE/ROSSO/ROJA/  
RÖD/PUNAINEN/RØD/  
RÖD/CZERWONY**

**BROWN/BRAUN/  
BRUIN/MARRON/  
MARRONE/MARÓN/  
BRUN/RUSKEA/BRUN/  
BRUN/BRAZOWY**

# THULE STEP with OPTIONAL RELAY (308200) for AUTOMATIC RETRACTION

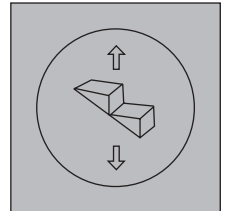
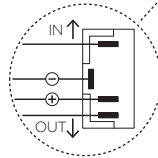


**BLACK/SCHWARZ/  
ZWART/NOIR/NERO/  
NEGRO/SVART/  
MUSTA/SORT/SVART/  
CZARNY**

**GREY/GRAU/GRIJS/  
GRISE/GRIGIO/GRIS/  
GRÅ/HARMAA/GRÅ/  
GRÅ/SZARY**

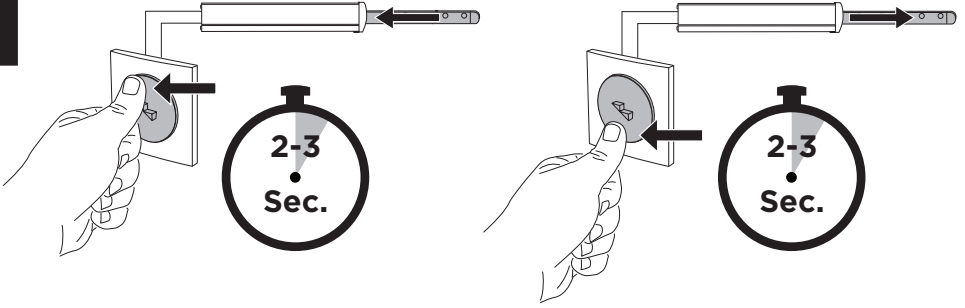
**RED/ROT/ROOD/  
ROUGE/ROSSO/ROJA/  
RÖD/PUNAINEN/RÖD/  
RÖD/CZERWONY**

**BROWN/BRAUN/  
BRUIN/MARRON/  
MARRONE/MARÓN/  
BRUN/RUSKEA/BRUN/  
BRUN/BRAZOWY**

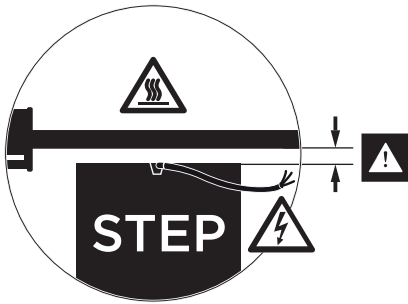
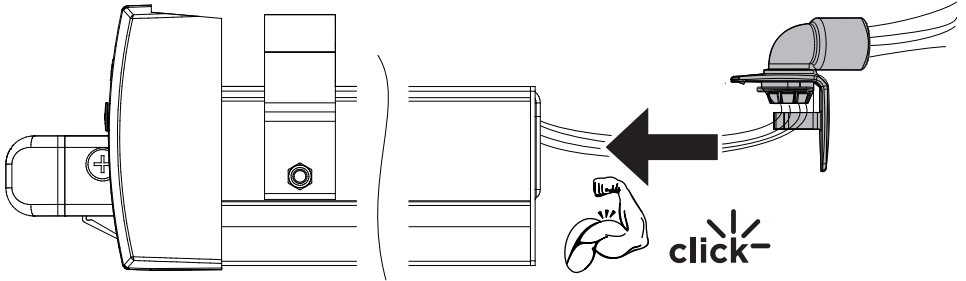


2

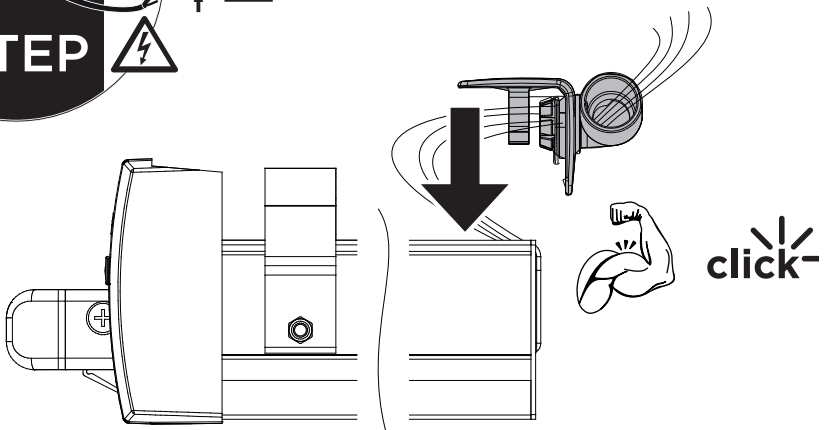
i



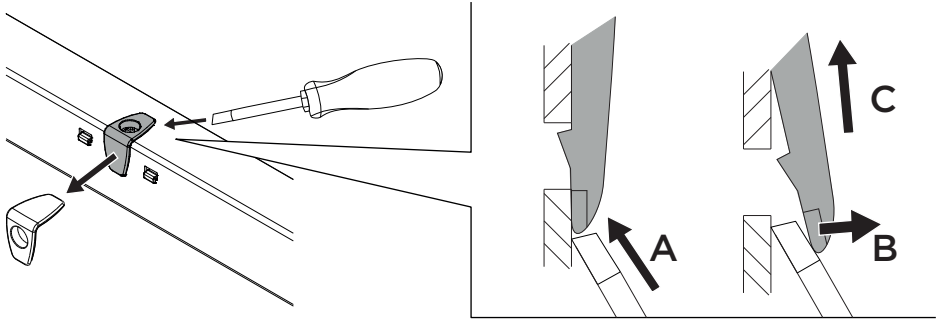
3



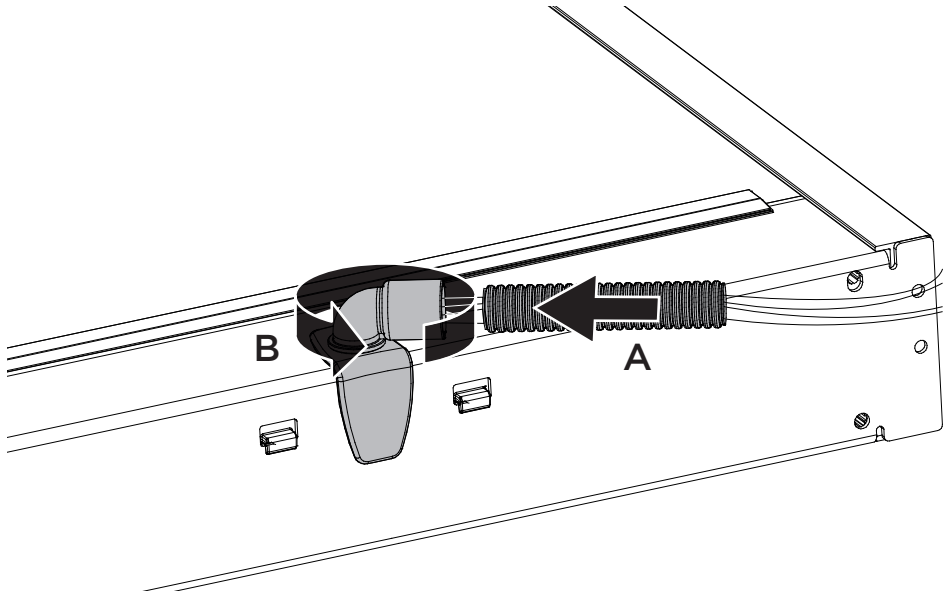
OR



**i**

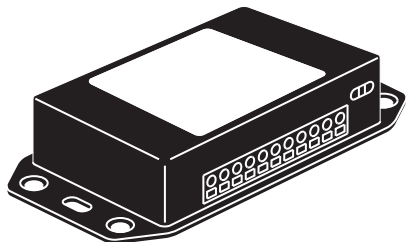


**4**



## 6 ACCESSORIES

**Electronic control unit (308812)**



**Relay for Automatic retraction x10 (308200)**

